

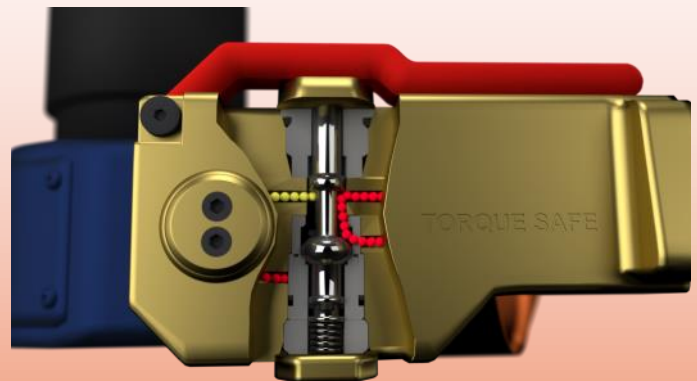
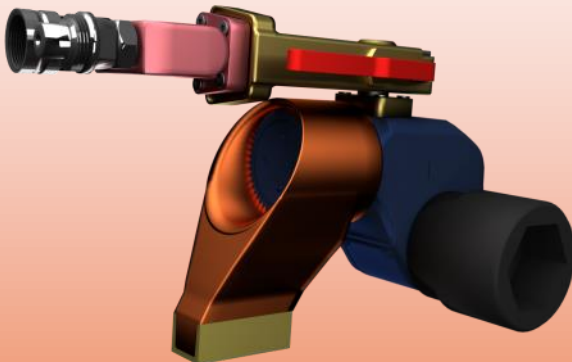
Patented Safety Switch for Hydraulic Torque Wrenches



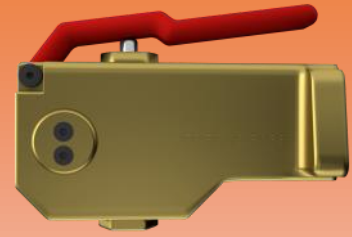
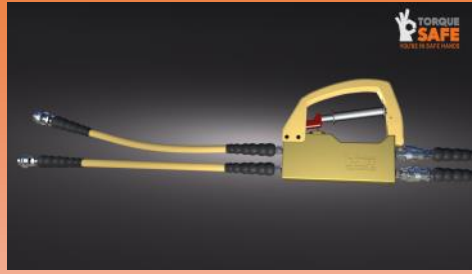
# TORQUE SAFE

## YOU'RE IN SAFE HANDS

The patented aftermarket retrofit Safety switch designed to prevent hand crush accidents, associated with Hydraulic Torque Wrenches



Torque Safe North America LLC.  
[www.TorqueSafena.com](http://www.TorqueSafena.com)  
[par@TorqueSafena.com](mailto:par@TorqueSafena.com)  
Tel: +1 (832) 461-5853

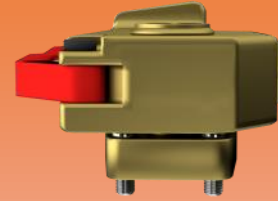


**Torque Safe North America Price List of Most Popular Configurations**

**Complete & full assemblies (Complete and ready to install) Quick Connects & fittings are not included**

Part #	Description
TS-001-INLINE-DMC	In-Line Universal Assembly DEAD MAN SAFETY CONFIGURATION
TS-001-INLINE-RDM	In-Line Universal Assembly REVERSE DEAD MAN SAFETY CONFIGURATION
TS-001-DIR-S	Complete Assembly direct connection (Small)
TS-001-DIR-M	Complete Assembly direct connection (Medium) ,
TS-001-DIR-L	Complete Assembly direct connection (Large)
TS-001-TITAN-M	Complete Assembly Titan T3-T25
TS-001-WREN-M	Complete assembly for WREN 3-10
TS- 001 -XLT-S	Complete assembly for Hytorc HY-.05XLT, HY-.07 XLT, HY-1XLT, HY-2XLCT (Old Style) Rapidtorc RT-.05, RT-01, RTX-01, RXT-02, Titan T-1, Torc LLC TTX 1, etc. ( XLT Post small, Small Body )
TS- 001 -XLT-M	Complete assembly for Hytorc HY-3XLT-25XLT, Rapidtorc RT-3-RT08, RTX-04- RXT-8, Titan T-3 - T-25, Torc LLC TTX 3 -TTX5, TTX 8 (XLT post medium, Body assembly medium)
TS- 001-XLT -L	Complete assembly for Rapidtorc RT-10-RT 50, RTX-14- RTX 18, RXT-30 Torc LLC TTX 10-TTX 30, etc. , (XLT Post Large, Body assembly Large )
TS-001-MXT-S	Complete assembly for Hytorc HY-1-MXT ( Small MXT footprint post, complete body assembly small, XLT small post)
TS-001-MXT-M	Complete assembly for Hytorc HY-3MXT- HY-8MXT (Medium MXT footprint post, complete medium body assembly, XLT medium post)
TS-001-MXT-L	Complete assembly for Hytorc HY-10MXT- HY-35MXT (Large MXT footprint post, complete body assembly large, XLT Large post)
TS-001-XLCT-2	Complete assembly for Hytorc HY-2XLCT (360 degree X 360 deg style)(2XLCT footprint post, complete body assembly small, Direct fitting style )
TS-001-XLCT-4	Complete assembly for Hytorc HY-4XLCT (360 degree X 360 deg style)(4XLCT footprint post, complete body assembly medium, Direct fitting style )
TS-001-XLCT-8	Complete assembly for Hytorc HY-8XLCT (360 degree X 360 deg style)( HY-8XLCT footprint post, complete body assembly medium, Direct fittings style )
TS-001-XLCT-14	Complete assembly for Hytorc HY-14XLCT (360 degree X 360 deg style)14XLCT footprint post, complete body assembly small, Direct fitting style )
TS-001-XLCT-18	Complete assembly for Hytorc HY-18XLCT (360 degree X 360 deg style)(18XLCT footprint post, complete body assembly medium, Direct fitting style )
TS-001-XLCT-30	Complete assembly for Hytorc HY-30XLCT (360 degree X 360 deg style)(need HY-30XLCT footprint post, complete body assembly medium, Direct fittings style )
TS-001-S-ST -8	Complete assembly for Hytorc Stealth 8 (Medium)
TS-001-L-ST	Complete assembly for Hytorc Stealth Large)
TS-001-NOR-X2/X4	Complete assembly for Norwolf Low Profile -Small
TS-001-NOR-X8	Complete assembly for Norwolf Low Profile -Medium

**Assemblies are available for most brands & models. If you don't see yours, just ask your Torque Safe Distributor**

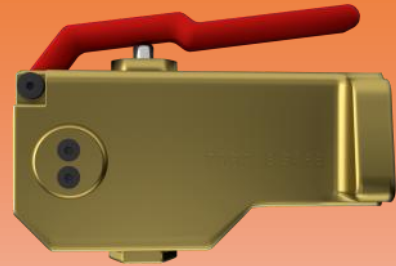


**Torque Safe North America Price List of Most Popular Configurations**

**Complete & full assemblies (Complete and ready to install) Quick Connects & fittings are not included**

TS-001-TWH27N	Complete assembly for HI FORCE TWH27N (360 degree X 360 deg style)(TWH27N footprint post, complete body assembly small, Direct fitting style )
TS-001-TWH54N	Complete assembly for HI FORCE TWH54N (360 degree X 360 deg style)(TWH54N footprint post, complete body assembly medium, Direct fitting style )
TS-001-TWH120N	Complete assembly for HI FORCE TWH120N(360 degree X 360 deg style)TWH120Nfootprint post, complete body assembly medium, Direct fitting style )
TS-001-TWH210N	Complete assembly for HI FORCE TWH210N (360 degree X 360 deg style)(TWH210N footprint post, complete body assembly, Large, Direct fitting style )
TS-001-TWH430N	Complete assembly for HI FORCE TWH430N (360 degree X 360 deg style)(TWH430N footprint post, complete body assembly Large, Direct fittings style )
TS-001-TWS17N	Complete assembly for HI FORCE TWS17N ( TWS17N Post small, Small Body )
TS-001-TWS45N	Complete assembly for HI FORCE TWS45N (TWS45N post medium, Body assembly medium)
TS-001-TWS100N	Complete assembly for HI FORCE TWS100N (TWS100N post medium, Body assembly medium)
TS-001-TWS150N	Complete assembly for HI FORCE TWS150N (Large TWS150N footprint post, complete body assembly large, TWS150N Large post)
TS-001-TWS370N	Complete assembly for HI FORCE TWS370N (LargeTWS370Nfootprint post, complete body assembly large, TWS370N Large post)
TS-001-S-EP-W2000	Complete assembly for Small Enerpac WS 2000
TS-001-M-EP-W4000	Complete assembly for Medium Enerpac WS 4000
TS-001-M-EP-W8000	Complete assembly for Medium Enerpac WS 8000
TS-001-M-EP-W15000	Complete assembly for Medium Enerpac WS 15000
TS-001-S-EP-W2000X	Complete assembly for Small Enerpac WS 2000X
TS-001-M-EP-W4000X	Complete assembly for Medium Enerpac WS 4000X
TS-001-M-EP-W8000X	Complete assembly for Medium Enerpac WS 8000X
TS-001-M-EP-W15000X	Complete assembly for Large Enerpac WS 15000X
TS-001-M-EP-W22000X	Complete assembly for Large Enerpac WS 22000X
TS-001-M-EP-S1500X	Complete assembly for Small Enerpac S1500X Square Drive Style
TS-001-M-EP-S3000X	Complete assembly for Medium Enerpac S3000X Square Drive Style
TS-001-M-EP-S6000X	Complete assembly for Medium Enerpac S6000X Square Drive Style
TS-001-M-EP-S11000X	Complete assembly for Large Enerpac S11000X Square Drive Style
TS-001-M-EP-S25000X	Complete assembly for Large Enerpac S25000X Square Drive Style
TS-001-S-SPX	Complete assembly for Small SPX
TX-001-SPX-TWHC3	Complete Assembly for SPX Model TWHC6, medium post, medium assembly
TX-001-SPX-TWHC6	Complete Assembly for SPX Model TWHC6, medium post, medium assembly
TX-001-SPX-TWSD11	Complete Assembly for SPX Model TWSD11, medium post, medium assembly
TX-001-SPX-TWSD25	Complete Assembly for SPX Model TWSD25, Large Post, Large assembly
TS-001-L-SPX	Complete assembly for Large SPX

**Assemblies are available for most brands & models. If you don't see yours, just ask your Torque Safe Distributor**



**Torque Safe North America Price List of Most Popular Configurations**

**Complete & full assemblies (Complete and ready to install) Quick Connects & fittings are not included**

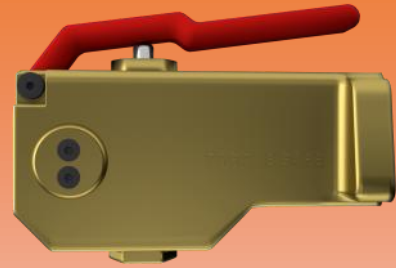
TS-001-S-TLP2	Complete assembly for small Titan (Chicago Pneumatic) LP2
TS-001-S-TLP4	Complete assembly for medium Titan (Chicago Pneumatic) LP4
TS-001-S-TLP8	Complete assembly for medium Titan (Chicago Pneumatic) LP8
TS-001-S-TLP16	Complete assembly for medium Titan (Chicago Pneumatic) LP16
TS-001-TORX-1MD	Complete Assembly for Torsion X Model 1MD, Small Steel Post
TX-001-TORX-3MD	Complete Assembly for Torsion X Model 3MD, medium Steel post
TX-001-TORX-5MD	Complete Assembly for Torsion X Model 5MD, medium Steel post
TX-001-TORX-10MD	Complete Assembly for Torsion X Model 10 MD, Large Steel post
TX-001-TORX-17MD	Complete Assembly for Torsion X Model 17 MD, Large Steel post
TX-001-TORX-2HP 15	Complete Assembly for Torsion X Model 2HP, Small 360/360 style post
TX-001-TORX-2HP SS1	Complete Assembly for Torsion X Model 2HP, Small Standard with SS1 footprint post
TX-001-TORX-4HP 15	Complete Assembly for Torsion X Model 4HP, Medium 360/360 style post
TX-001-TORX-4HP SS3	Complete Assembly for Torsion X Model 4P, with SS3 Medium Standard style post
TX-001-TORX-8HP 15	Complete Assembly for Torsion X Model 8HP, Medium 360/360 style post
TX-001-TORX-8HP SS2	Complete Assembly for Torsion X Model 8HP, with SS2 Footprint, Medium Standard style post
TX-001-TORX-14HP SS2	Complete Assembly for Torsion X Model 14HP, with SS2 Footprint Medium Standard style post
TX-001-TORX-30HP SS4	Complete Assembly for Torsion X Model 30HP, with SS4 Footprint, Large Standard style post
TS-001-L PL	Complete Assembly Plarad Large) Swivel Body drilled and taped for 1/4" NPT threads
TS-001-L PL	Complete Assembly Plarad Small) Swivel Body drilled and taped for 1/8" NPT threads

**Swivel Posts**

**Spare Parts**

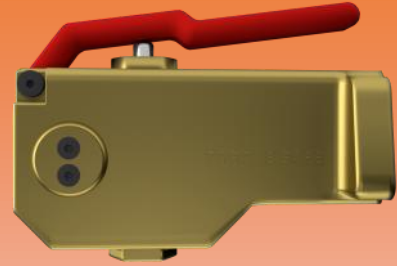
TS- E15030-7-XLT-S	Tool to Body Swivel Post (for Hytorc HY-.05XLT, HY-.07 XLT, HY-1XLT, Rapidtorc RT.05, RT-01, RTX-01, RXT-02, Titan T-1, )
TS- E15030-7-XLT-M	Tool to Body Swivel Post ( For Hytorc HY-3XLT-25XLT, , Rapidtorc RT-3-RT 8, RTX-04-RXT-8, Titan T-3- T-25, etc.)
TS- E15030-7-XLT-L	Tool to Body Swivel Post ( For , Rapidtorc RT-10-RT 35, RTX-014- RXT-30, .)
TS- E15030-7-MXT-S	Tool to Body Swivel Post ( for Hytorc HY-.05MXT- HY-1-MXT)
TS- E15030-7-MXT-M	Tool to Body Swivel Post (for Hytorc HY-3MXT- HY-8-MXT)
TS- E15030-7-MXT-L	Tool to Body Swivel Post (for Hytorc HY-10MXT- HY-50MXT)
TS- E15030-7-2XLCT	Tool to Body Swivel Post ( Hytorc HY-2XLCT 360 de X 360 de Style)

**Assemblies are available for most brands & models. If you don't see yours, just ask your Torque Safe Distributor**

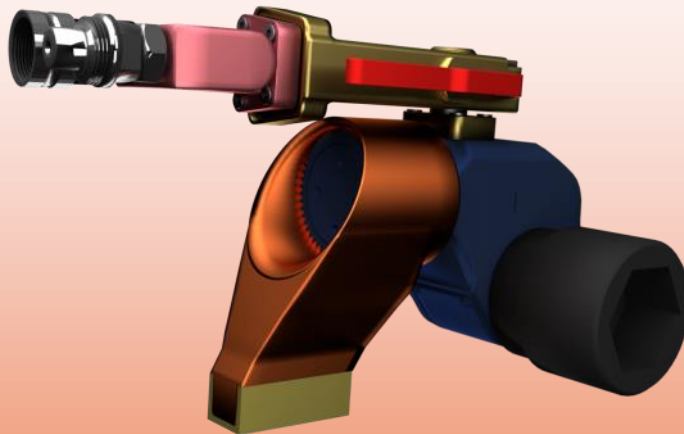


Swivel Posts	
Spare Parts	
TS- E15030-7-4XLCT	Tool to Body Swivel Post For Hytorc 4XLCT (360 de X 360 de style)
TS- E15030-7-8XLCT	Tool to Body Swivel Post For Hytorc 8XLCT -30 XLCT 360 de X 360 de style)
TS- E15030-7-14XLCT	Tool to Body Swivel Post For Hytorc 14XLCT (360 de X 360 de style)
TS- E15030-7-18XLCT	Tool to Body Swivel Post For Hytorc 18XLCT (360 de X 360 de style)
TS- E15030-7-STL2	Tool to Body Swivel Post (for Hytorc Stealth Small)
TS- E15030-7-STL-4	Tool to Body Swivel Post (for Hytorc Stealth Large)
TS-E1530-7-X2	Tool to Body Swivel Post for Norwolf X2 Driver
TS-E1530-7-X4	Tool to Body Swivel Post for Norwolf X4 Driver
TS-E1530-7-TWH27N	Tool to Body Swivel Post (HI FORCE TWH27N 360 de X 360 de Style)
TS-E1530-7-TWH54N	Tool to Body Swivel Post For HI FORCE TWH54N (360 de X 360 de style)
TS-E1530-7-TWH120N	Tool to Body Swivel Post For HI FORCE TWH120N (360 de X 360 de style)
TS-E1530-7-TWH210N	Tool to Body Swivel Post For HI FORCE TWH210N (360 de X 360 de style)
TS-E1530-7-TWH430N	Tool to Body Swivel Post For TWH430N (360 de X 360 de style)
TS-E1530-7-TWS17N	Tool to Body Swivel Post for HI FORCE TWS17N
TS-E1530-7-TWS45N	Tool to Body Swivel Post for HI FORCE TWS45N
TS-E1530-7-TWS100N	Tool to Body Swivel Post for HI FORCE TWS100N
TS-E1530-7-TWS150N	Tool to Body Swivel Post for HI FORCE TWS150N
TS-E1530-7-TWS370N	Tool to Body Swivel Post for HI FORCE TWS370N
TS-E15030-7-ENP-S-W 2000	Tool to Body Swivel Post for Enerpac WS 2000 Small
TS-E15030-7-ENP-M-W 4000	Tool to Body Swivel Post for Enerpac WS 4000 Medium
TS-E15030-7-ENP-M-W 8000	Tool to Body Swivel Post for Enerpac WS 8000 Medium
TS-E15030-7-ENP-L-W 15000	Tool to Body Swivel Post for Enerpac WS 15000 Large
TS- E15030-7-ENP-S-X2000	Tool to Body Swivel Post for Enerpac WS 2000X Small
TS- E15030-7-ENP-M-X4000	Tool to Body Swivel Post for Enerpac WS 4000X Medium
TS- E15030-7-ENP-M-X 8000	Tool to Body Swivel Post for Enerpac WS 8000X Medium
TS-E15030-7-ENP-L-X15000	Tool to Body Swivel Post for Enerpac WS 15000X Large
TS-E15030-7-ENP-L-X22000	Tool to Body Swivel Post for Enerpac WS 22000X Large
TS- E15030-7-ENP-S-1500X	Tool to Body Swivel Post for Small Enerpac S1500X Square Drive Tool
TS- E15030-7-ENP-M-3000X	Tool to Body Swivel Post for Medium Enerpac S3000X Square Drive Tool
TS- E15030-7-ENP-M-6000X	Tool to Body Swivel Post for Medium Enerpac S6000X Square Drive Tool
TS- E15030-7-ENP-L-11000X	Tool to Body Swivel Post for Large Enerpac S11000X Square Drive Tool
TS- E15030-7-ENP-L-25000X	Tool to Body Swivel Post for Large Enerpac S25000X Square Drive Tool

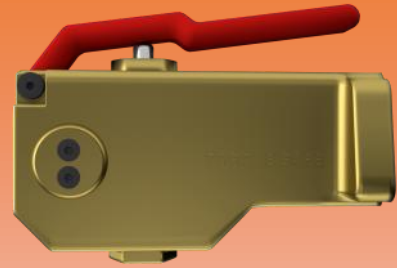
**Assemblies are available for most brands & models. If you don't see yours, just ask your Torque Safe Distributor**



Swivel Posts	
Spare Parts	
TS- E15030-7-SPX-S	Tool to Body Swivel Post (for SPX Small)
TS- E15030-7-SPX-L	Tool to Body Swivel Post (for SPX Large)
TS- E15030-7-15	Tool to Body Swivel Post (for Plarad Small)
TS- E15030-7-16	Tool to Body Swivel Post (for Plarad Large)
TS-E15030-7-TORX-1MD	Steel Tool to Body Swivel Post (for Torsion X Small)
TS-E15030-7-TORX-3MD	Steel Tool to Body Swivel Post (for Torsion X Medium)
TS-E15030-7-TORX-5MD	Steel Tool to Body Swivel Post (for Torsion X Medium)
TS-E15030-7-TORX-10MD	Steel Tool to Body Swivel Post (for Torsion X Large)
TS-E15030-7-TORX-17MD	Steel Tool to Body Swivel Post (for Torsion X Large)
TS-E15030-7-TORX-2 HP 15	360 Style Tool to body Swivel Post (for Torsion X Small)
TS-E15030-7-TORX-2 HP SS1	Standard Tool to Body Swivel Post (for Torsion X Small)
TS-E15030-7-TORX-4 HP 15	360 Style Tool to body Swivel Post (for Torsion X Medium)
TS-E15030-7-TORX-4 HP SS3	Standard Tool to Body Swivel Post (for Torsion X Medium)
TS-E15030-7-TORX-8 HP 15	360 Style Tool to body Swivel Post (for Torsion X Medium)
TS-E15030-7-TORX-8 HP SS3	Standard Tool to Body Swivel Post (for Torsion X Medium)
TS-E15030-7-TORX-14 HP SS2	Standard Tool to Body Swivel Post (for Torsion X Medium)
TS-E15030-7-TORX-30 HP SS4	Standard Tool to Body Swivel Post (for Torsion X Large)
TS- E15030-7-ADV-s	Tool to Body Swivel Post (for Hytorc Advanti Small)
TS- E15030-7-18	Tool to Body Swivel Post (for Hytorc Advanti Large)



Assemblies are available for most brands & models. If you don't see yours, just ask your Torque Safe Distributor



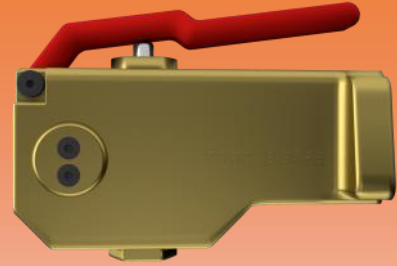
**Common Parts  
Small Tool Body**

TS- E15049-2S	Shaft Poppet
TS- E15049-4S	Large Poppet Guide
TS- E15049-5S	Small Poppet Guide
TS- E15049-6S	Pressure Seat
TS- E15049-7S	Isolation Seat
TS- E15049-8S	Retainer Shaft
TS- E15049-9S	Retainer Poppet
TS- E15049-11S	Safety Handle
SPC-Socket	Pentagon Socket
TS- E15049-000S	Seal Kit TS- E15049-000
TS- E15049-001S	TS- E15049-001 Maintenance Kit consisting of
	SHCS
	SHOULDER SCREW HM6
	SCREW
	CAP FOR BANJO E15030-8
	ADAPTOR FOR BANJO E15030-7
	PLUG - VENT 0677 00 10
	SCREW - GRUB M6 x 6Lg
	PLUG 22S-S02 0.001
	SPRING - COMPRESSION

**Common Parts  
Medium Tool Body**

TS- E15049-2M	Shaft Poppet
TS- E15049-4M	Large Poppet Guide
TS- E15049-5M	Small Poppet Guide
TS- E15049-6M	Pressure Seat
TS- E15049-7M	Isolation Seat
TS- E15049-8M	Retainer Shaft
TS- E15049-9M	Retainer Poppet
TS- E15049-11M	Safety Handle
TS- E15049-000M	Seal Kit
SPC Socket	Pentagon Socket

Assemblies are available for most brands & models. If you don't see yours, just ask your Torque Safe Distributor



**Common Parts  
Medium Tool Body**

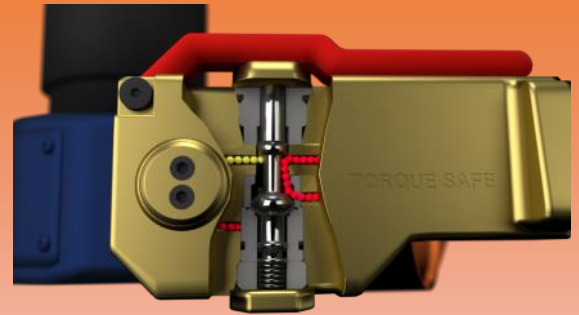
TS- E15049-001M	Maintenance Kit consisting of
	SHCS
	SHOULDER SCREW HM6
	SCREW
	CAP FOR BANJO E15030-8
	ADAPTOR FOR BANJO E15030-7
	PLUG - VENT 0677 00 10
	SCREW - GRUB M6 x 6Lg
	PLUG 22S-S02 0.001
	SPRING - COMPRESSION

**Common Parts  
Large Tool Body**

TS- E15049-2L	Shaft Poppet
TS- E15049-4L	Large Poppet Guide
TS- E15049-5L	Small Poppet Guide
TS- E15049-6L	Pressure Seat
TS- E15049-7L	Isolation Seat
TS- E15049-8L	Retainer Shaft
TS- E15049-9L	Retainer Poppet
TS- E15049-11L	Safety Handle
TS- E15049-000L	Seal Kit
	Pentagon Socket
TS- E15049-001L	Maintenance Kit consisting of
	SHCS
	SHOULDER SCREW HM6
	SCREW
	CAP FOR BANJO E15030-8
	ADAPTOR FOR BANJO E15030-7
	PLUG - VENT 0677 00 10
	SCREW - GRUB M6 x 6Lg
	PLUG 22S-S02 0.001
	SPRING - COMPRESSION

Assemblies are available for most brands & models. If you don't see yours, just ask your Torque Safe Distributor





## Patented Safety Switch Swivel Assembly

### Retrofit for your Hydraulic Torque Wrenches

Designed & Engineered to prevent hand crush accidents due to the use of Hydraulic Wrenches



MEETS ALL EXPECTATIONS

Greatly Reduces the risk of Crush Injuries with hydraulic torque wrenches  
Locks out actuation of the wrench until the operator is ready and safe

Torque Safe North America LLC.  
12710 Everhart Pointe Drive  
Tomball, Texas, USA  
[www.TorqueSafena.com](http://www.TorqueSafena.com)  
[par@TorqueSafena.com](mailto:par@TorqueSafena.com)  
Tel: +1 (832) 461-5853

**Your local Torque Safe Distributor**

Assemblies are available for most brands & models. If you don't see yours, just ask your Torque Safe Distributor